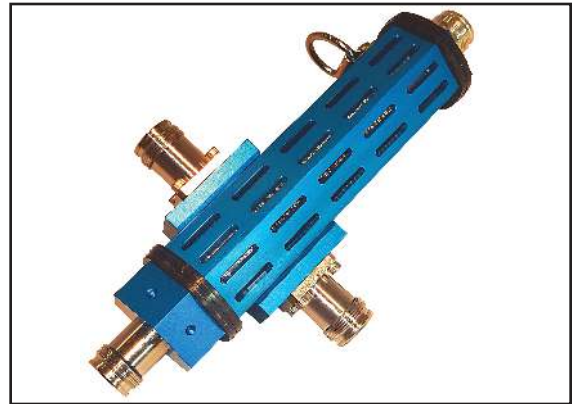


# CK-09 Series Calibration Kits

7-16 DIN, 4.3-10, or Type N, 300-6,000 MHz PIMOSL Low PIM Calibration Kit

Specifications		CK-A09-D43F	
Connectors:	4.3-10 Female		
Finish:	Blue Anodized		
Component	Low PIM Termination		
<b>Frequency Range:</b>	<b>300 - 6000 MHz</b>		
Return Loss:	300 - 698 MHz	11 dB MAX	
	698 - 900 MHz	18 dB MAX	
	900 - 2700 MHz	20 dB MAX	
	2700 - 3500 MHz	19 dB MAX	
	3500 - 4200 MHz	16 dB MAX	
4200 - 6000 MHz	14 dB MAX		
PIM 2X20W:	-160 dBc		
Power:	40 W Avg		
Finish:	Blue Anodized		
Component	2W Resistive Termination		
<b>Frequency Range:</b>	<b>DC - 6000 MHz</b>		
Impedance:	50 Ω		
Return Loss:	DC - 2700 MHz	29 dB MAX	
	2700 - 4200 MHz	28 dB MAX	
	4200 - 5000 MHz	25 dB MAX	
	5000 - 6000 MHz	20.8 dB MAX	
Power:	2W at 25°C		
Component	Short		
<b>Frequency Range:</b>	<b>300 - 2700 MHz</b>	<b>2700 - 3500 MHz</b>	<b>3500 - 6000 MHz</b>
Electrical Delay:	214.4 pS	214.4 pS	214.4 pS
Phase:	180 ± 4 Deg.	180 ± 6 Deg.	180 ± 10 Deg.
Reflection Coefficient:	± 0.1 dB	± 0.15 dB	± 0.2 dB
Component	Open		
<b>Frequency Range:</b>	<b>300 - 2700 MHz</b>	<b>2700 - 3500 MHz</b>	<b>3500 - 6000 MHz</b>
Electrical Delay:	218.8 pS	218.8 pS	218.8 pS
Phase:	0 ± 6 Deg.	0 ± 7 Deg.	0 ± 8 Deg.
Reflection Coefficient:	± 0.1 dB	± 0.15 dB	± 0.2 dB

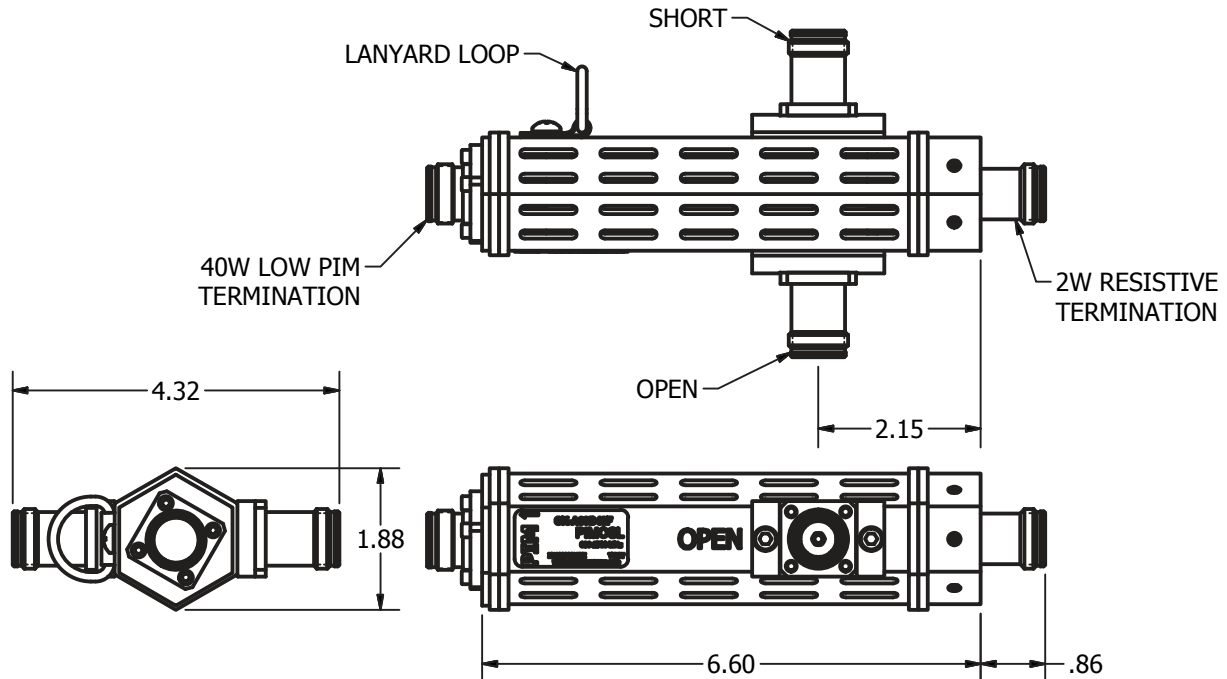


PIMOSL, (low **PIM** load, **Open**, **Short**, and resistive Load) is designed for bench or field sweep tests on low PIM systems. CK-A09 calibration kit is a single unit with a 40 watt low PIM termination, a 2 watt resistive termination, an open, and a short 7-16 DIN, 4.3-10, or Type N connector. It covers the full commercial wireless band including 5G band up to 6 GHz. It is encased in an impact resistant housing and has a convenient D-ring for securing with a clip or with the provided lanyard.

Typical Part Number		
<b>CK-A09-XXX</b>	Connector:	Connector ID:
	7-16 DIN female	DF
Part Number	7-16 DIN male	DM
	4.3-10.0 female	D43F
Connector ID	4.3-10.0 male	D43M
	Type N female	NF
	Type N male	NM

Specifications shown for 4.3-10 female connectors. Contact factory for alternate configurations.

Made in USA.



Specifications Subject to Change Without Prior Notification  
 R&D Microwaves LLC, 301 Rockaway Valley Road, Boonton, NJ 07005 USA  
 Tel. 908.212.1696 www.rdmicrowaves.com  
 email: sales@rdmicrowaves.com

