

C700 Modular Test & Development Platform



The Ideal Solution for Cognitive Radio, DSP, Wireless Communications & Massive MIMO

Design, Test, Verify & Prototype...

All with the same tool



- Direct FPGA access - Custom User Code
- Supports Altera & Xilinx FPGAs & tools
- Coherent Multi Channel & MIMO Ready
- Superior Phase Noise & SFDR performance
- Integrates with your design environment of choice: Matlab, LabVIEW, GNU Radio & more...
- Professional Design & Prototyping Services Accelerate your Time-to-Market

- Frequency range: 400 MHz to 6 GHz
- Wide IQ Bandwidth up to 40 MHz
- Digital I & Q with 16-bit resolution
- Analog, Digital & Arbitrary modulation
- Phase Noise -107 dBc/Hz @ 10 KHz
- Switching time < 10 μs
- Cutting-edge RF Waveform generation with Modular architecture to meet various applications

The C700 is a Modular Development & Verification platform designed specifically to bring about speed and flexibility to FPGA & System Designers. Allowing you to test your RF design without draining your time & resources integrating and troubleshooting RF boards.

Focus on your design code while the C700 Platform takes care of Synchronization, LO Control, data communication and all other ancillary functions.

Works out of the box. No time wasted on Setup Integration, testbed creation or code re-design

Use C700 Modules to build your system with ready-made modules for Signal Generation and Vector Modulation, Signal Reception & Vector Demodulation, LO Generation and distribution, Onboard DSP (ARM & x86), Baseband Signal Processing FPGA and more.

Modules are all Plug & Play and communicate together on the C700 data bus allowing you to build complex and high channel count designs with speed and ease.

A Truly modular architecture that replaces conventional boards with the versatility required for innovation in MIMO and Multi-Channel applications. Modules or even entire units can be stacked and aggregated for large scale designs and easily connected to your PC for control, data I/O or as hardware in the loop for simulation.



Design from your Comfort Zone

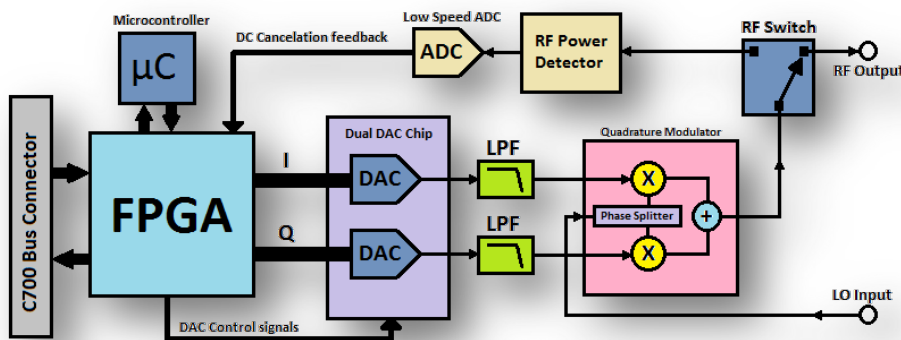
C700 goes all the way to help you focus on your job. The system can be fully programmed & controlled right from your design tool or system level simulation environment of choice (Matlab®, LabView®, GNU Radio... etc.) in addition to a multitude of programming languages (VHDL, C and many others). This allows reusing the same test bed during the design and prototyping phases completely eliminating inconsistency and guaranteeing a streamlined testing procedure thought the project lifecycle. No more you will need to create new complex and expensive test bed for your prototype, now Design engineers can easily move back and forth testing the code AND the actual prototype side by side greatly accelerating debugging and design iteration.

Module firmware natively supports programming the FPGA with custom HDL code through direct JTAG access, this allows developers to use separate design environments for HDL development and for system level testing simultaneously and independently.

Replace expensive and complicated Measurement Benches with testing tools are fully integrated with your testbed and design environment.

Modules for Every Function

C700 is designed to help developers to build complete systems using C700 Plug & Play Modules. The C700 Chassis & Base Unit C700 System modules handle all support functions without requiring any user intervention. Functions like timing and synchronization, control signals and data transfer are all managed by the C700 in the background



SpectraTronix C700 modules give developers the ability of generating complex baseband I/Q signals through VHDL programming of its fully configurable FPGA blocks then Vector Modulate them to an RF Carrier up to 6 GHz. Similarly for the receive chains HDL Developers can easily implement system functions inside the FPGA and (optionally) use the connected PC for pre/post processing

allowing the user to focus on the task at hand. The C700 Chassis and Base Unit act as a communication Backplane (700 Mbit/sec) for all the modules as well as clock and power distribution network. The Chassis accommodates the modules and is dimensioned according to the required configuration (up to 32 Slots/Chassis are supported, several chassis can be cascaded for even higher channel counts)

All Testing Tools Built-In

The RF characteristics of the C700 outperforms traditional Test & Measurement Equipment of its class, enabling the use of C700 Modules as general purpose test equipment or even fully optimized automated test station. C700 VSM Modules can function as standalone or integrated:

- [Arbitrary Vector Signal Generator](#)
- [Spectrum/Signal Analyzer](#)
- [Vector Network Analyzer](#)
- [Channel Emulator](#)

Different modules are available to represent the different functions and subsystems usually found in modern wireless designs:

- Vector Signal Modulation RF Modules
- Vector Signal DeModulation RF Modules
- Coherent LO Generation Modules
- ARM On-Board Processing Modules
- FPGA On-Board Processing Modules
- Intel x86 On-Board Processing Modules
- Embedded µController Modules

This allows the user to completely model the system under test on the C700.

Altera & Xilinx FPGA Chip Selection

SpectraTronix C700 RF Modules come standard with an Altera Cyclone III / Cyclone IV FPGA Chip. However, different FPGA selections are available to best fit the target application. Selections include FPGA chips from the following families:

- Altera® Cyclone (III / IV / V)
- Altera® Stratix
- Altera® Arria
- Xilinx® Spartan
- Xilinx® Zynq
- Xilinx® Virtex
- The C700 Firmware is designed to take minimal FPGA resources freeing up all the logic and fabric for the user code.

Direct JTAG access to the FPGA gives the user the unique opportunity to develop and debug using any software tool of their choice without any limitations imposed by the C700 platform.

Customize it to your need

Need high RF Power? Better Sensitivity? Developing for a specific FPGA chip? The C700 customization services are intended for developers who want to tailor their development platform to their applications and move from development to deployment in one smooth step. C700 RF modules can be fit with a wide selection of FPGA & SoC chips from Altera® & Xilinx® for maximum versatility. Moreover, different RF Front-Ends and entire RF Subsystems can be incorporated (or custom designed) within the module in order to best match it to your target system. This is a unique feature to the C700 platform that eliminates any inconsistency arising from hardware change.

Professional IP Design Services

Developing on the C700 platform gives you exclusive access to SpectraTronix own IP Design Team. Benefit from our years of experience creating IPs for Wireless Communications, DSP, Military Communications, Electronic Warfare as well as Aerospace & Defense Applications. SpectraTronix IP design team can actively contribute to your design building HDL & Embedded blocks as per your requirement or help you during the prototyping & testing phases creating custom test beds or ancillary system blocks to test your design end-to-end.

PCB Design & Prototyping Services

Bring your code to life with SpectraTronix Prototyping services to transform your design into a standalone prototype with all the required logic, chips and RF Modules integrated into a single professionally designed PCB that will be manufactured, tested and delivered right to your doorstep complete with Packaging and UI/UX development services designed to best showcase your work.



General Specifications

Frequency range	0.4 GHz to 6 GHz
Frequency accuracy	1×10^{-7} (Warm-up time 1 minute)
Frequency resolution	≤ 1 MHz (1 Hz with VSM or VSD modules)
Number of channels	Scalable from 1 to 1000
IQ resolution	16 bits
Bandwidth	40 MHz/ (More bandwidth is achievable through channel aggregation)
Bus speed	700 Mbps (Per single chassis)
Number of slot /chassis	5, 8, 16 or 32
Reference signals	10 MHz IN, 10 MHz OUT
Internal oscillator	OEXO
System clock	50 MHz
System controller	USB2, Embedded AVR

FPGA

FPGA Configuration	Downloadable via JTAG port
Standard FPGA Chips	Cyclone III, Cyclone IV ,and more available

RF Specs (Generator/Transmitter modules)

Phase noise	< -107 dBc/Hz @ 10 KHz from 1 GHz carrier
Amplitude accuracy	< 0.5 dB (Typical 0.2 dB)
Switching time	< 10 us (Within ± 160 MHz from LO frequency)
RF output power	-37 dBm to -7 dBm. Overrange -87 dBm to -7 dBm (Optional amplifiers/attenuators available)

RF Specs (Demodulator/Receiver modules)

Max. RF input level	≤ 12 dBm
SFDR	> 70 dB
Sensitivity	< -90 dBm (Optional low noise amplifiers available)
Amplitude accuracy	< 0.5 dB (Typical 0.2 dB)
Image rejection	> 40 dB (Optional 80 dB. Refer to UDC modules specifications)

Physical characteristics

System housing	Mini, Orchestra ,and Field housing
Power supply	9-18 VDC (optional AC power supply integrated in system housing)
System cooling (Optional)	Forced air
Operating temperature	+0 °C to +50 °C
Operating Humidity	$< 95\%$ rel. humidity
ROHS	All C700 components are ROHS Compliant

Ordering Information

Base Unit	C700-BU-xxi
Synchronization Module	C700-SYNC I
Master Controller Module (Embedded)	C700-AVR I
Slave Controller Module (Embedded)	C700-AVR Is
Master ARM Controller Module (Embedded)	C700-ARM
USB2 Communication Module	C700-USB2
PLL Module (100MHz to 6 GHz)	C700-PLLI
PLL Module (100MHz to 6 GHz); 2 LO outputs, -107 dBc phase noise @1 GHZ, 10 KHz offset	C700-PLLIe
PLL Module (4 GHz to 8 GHz)	C700-PLL2
PLL Module (6 GHz to 12 GHz)	C700-PLL3
PLL Module (10 GHz to 18 GHz)	C700-PLL4
Vector Signal Generator / Transmitter (0.4 to 6 GHz)	C700-VSM I
Vector Signal Demodulator / Receiver (0.7 to 2.7 GHz)	C700-VSD I
Vector Signal Demodulator / Receiver (0.4 to 6 GHz)	C700-VSD2

Options & Accessories

Up/Down Converters	C700-UDC-xii
System Housing for field applications	C700-Field-xxiii
System Housing for laboratory applications; 8 slots	C700-Orchestra
Compact system housing; 5 slots	C700-Mini
All system housing include cooling system and AC/DC power supply	
1 MB RAM (system module)	C700-MEM I

Other Accessories

External Down Converter 10-2500 MHz	C700-RXFE I
External Up/Down Converter 10-2000 MHz	C700-TXFE I
Power Amplifier, 10 Watt, 0.6 to 3 GHz, 30 dB gain	ZGT-06302-40-X
4 channel amplifier, 18 dBm (@ 2GHz) ,0.5 to 6 GHz	PA4-0560-18-18
LNA , 0.6 to 4 GHz, > 20 dB gain	LNA-0640-3.6-20
Multi-band omnidirectional antenna; 0 dBi gain.	A-M210
Power splitter/combiner, 8 way, 20-6000 MHz,	PS108-0260
Phase stable low loss cable assembly, SMA-male	CSS-03p-xx
RF adapter SMA female to N-male	AD-SN-6
Synchronization cable for multi system; 4 way	CS-4
RF switch, 1 *4 , 0.4 to 4 GHz	RS104-0460

For any information about prices, future developments, recommendations, or customizations kindly contact: sales@spectratronix.com

ⁱ XX is the number of slots; 05 , 08, 16 or 32

ⁱⁱ Refer to the separate UDC datasheet

ⁱⁱⁱ XX is the number of slots; 05 , 08, 16 or 32